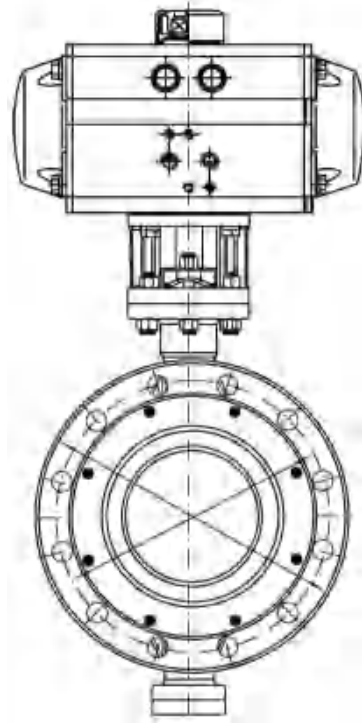


STANDARD SPECIFICATION

CHUANHU

气动三偏心硬密封蝶阀
Pneumatic three-eccentric center
Butterfly valve



上海川沪阀门有限公司

ShangHai Chuanhu Valve CO.,LTD

概述

三偏心硬密封蝶阀具有功能强、体积小、性能可靠、配套简单、流通能力大等特点。广泛应用于食品、环保、轻工、石油、造纸、化工、教学和科研设备、电力等行业的工业自动控制系统。

GENERAL

Three-eccentric center butterfly valve has the characteristics of strong function, small volume, reliable performance, simple matching, large flow capacity etc.. Butterfly valve is widely used in food, environmental protection, light industry, petroleum, papermaking, chemical industry, teaching and research equipment, electric power industry automatic control system

标准规格 STANDARD SPECIFICATION

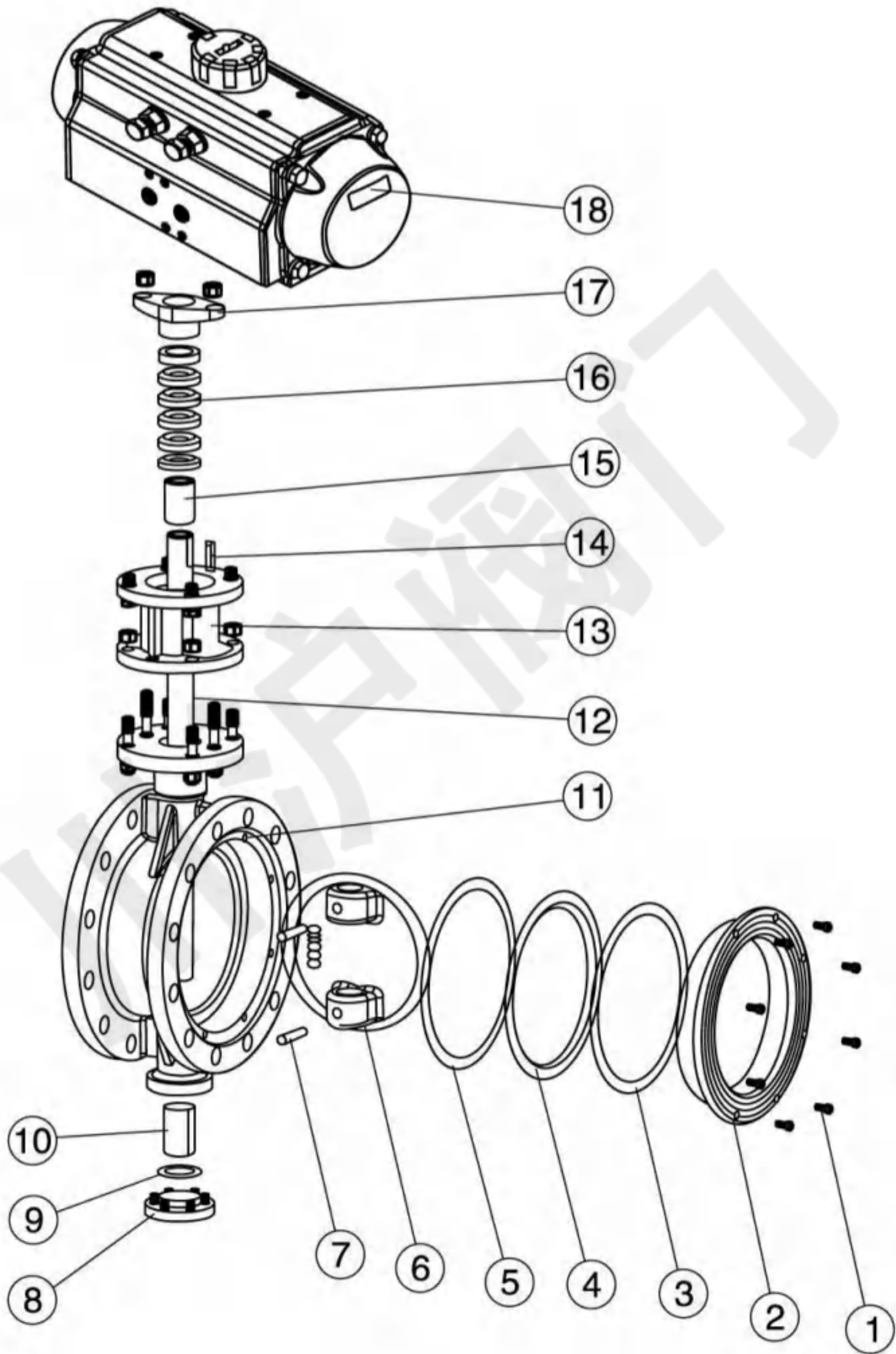
公称通径 Body size	DN50~1200
公称压力 Body ratings	PN 1.6, 2.5, 4.0 MPa ANSI Class 150, 300 Lb
尺寸标准 Dimension standard	国标、美标 GB, American standard
阀体材质 Body material	碳钢 Carbon steel(WCB), 不锈钢 Stainless steel(CF8, CF8M, CF3, CF3M)
阀座材质 Seat material	金属密封 (H、Y)、聚四氟乙烯 (F) H, Y, PTFE
作用方式 Mode of action	双作用、单作用 (弹簧复位) Double-acting/Single-acting type (spring reposition)
控制方式 Control	开关型、调节型 Switch type, Adjust type
附件选择 Selection of Accessories	电磁阀、定位器、限位开关、气源三联件、手动机构 Solenoid valve, Locator, Limit switch, F.R.L. COMBINATION UNIT, Manual Device

设计依据 Design Basis		GB 标准 Standard	ANSI 标准 Standard
设计标准 Design standard		GB/12238	API609
结构长度 Face to face dimension	对夹连接 Wafer connecting	GB/12221	ANSI B16.10
连接法兰尺寸 Connecting Flange Size		GB/9113. JB/T79	ANSI B16.5(2~24") ANSI B16.47(26~32")
试验和检验 Test & inspection		J B/T9092	API 598

※注：系列蝶阀结构长度及连接法兰尺寸可根据用户要求设计制造。

Note: The structural length and connecting flange size of butterfly valve series can be designed and manufactured as per users' requirements

结构图和零件材质表 STRUCTURE AND MAIN MATERIAL TABLE

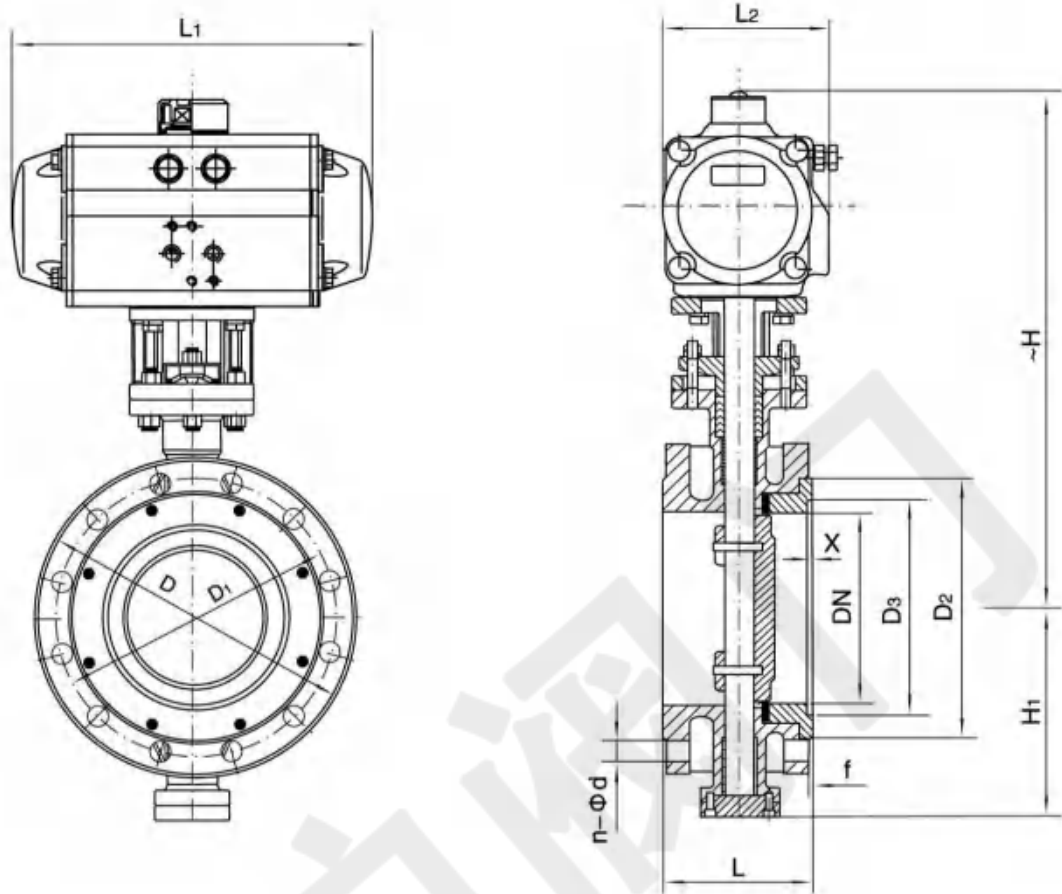


序号 No.	零件名称 Name of parts	材质 Material		
		C	P	R
1	内六角螺钉 Inner Hexagon Screw	1Cr18Ni9Ti	1Cr18Ni9Ti	1Cr18Ni12M02T
2	阀盖 Bonnet	WCB	1Cr18Ni9Ti	ZG1Cr18Ni12M02Ti
3	垫片 Gasket	1Cr18Ni9Ti	1Cr18Ni9Ti	1Cr18Ni12M02T
4	阀座 Seat	不锈钢+柔性石墨、PTFE Stainless Steel + Graphite、PTFE		
5	垫片 Gasket	1Cr18Ni9Ti	1Cr18Ni9Ti	1Cr18Ni12M02T
6	蝶板 Butterfly Plate	WCB	ZG1Cr18Ni9Ti	ZG1Cr18Ni12M02Ti
7	圆柱销 Straight Pin	45	1Cr18Ni9Ti	1Cr18Ni12M02T
8	下盖 Bottom Cover	WCB	ZG1Cr18Ni9Ti	ZG1Cr18Ni12M02Ti
9	垫片 Gasket	不锈钢+柔性石墨、PTFE Stainless Steel + Graphite、PTFE		
10	衬套 Bushing	PTFE 复合轴承 PTFE Composite Bearings		
11	阀体 Body	WCB	ZG1Cr18Ni9Ti	ZG1Cr18Ni12M02T
12	阀杆 Stem	1Cr13	1Cr18Ni9Ti	1Cr18Ni12M02Ti
13	支架 Yoke	WCB	WCB	WCB
14	键 Key	45	45	45
15	衬套 Bushing	PTFE 复合轴承 PTFE Composite Bearings		
16	填料 Packing	柔性白墨、PTFE Graphite、PTFE		
17	压盖 Gland	WCB	ZG1Cr18Ni9Ti	ZG1Cr18Ni12M02T
18	气动执行器 Pneumatic Actuator	AT 系列、AW 系列 AT Series、AW Series		

※注：系列蝶阀主要零部件及密封圈的材质可根据实际工况条件或用户特殊要求设计选用。

Note: The main spare parts and sealing ring material of butterfly valve can be designed for you options according to real working conditions or user's special requirements.

主要外形及连接法兰尺寸 MAIN OUTLINE AND CONNECTING FLANGE SIZE



PN16 (1.6MPa) Dimension

公称通径 Nominal diameter DN	外形尺寸 Outline Size					连接尺寸 Connecting Size					执行器型号 Actuator Model
	L	L1	L2	~H	Hi	D	Di	D2	f	n-φd	
50	108	159/211	83/95	277/205	65	165	125	99	3	4-φ18	AT063D/AT075S
65	112	211/248	95/107	287/315	75	185	145	118	3	4-φ18	AT075D/AT088S
80	114	248/269	107/123	365/375	85	200	160	132	3	8-φ18	AT088D/AT100S
100	127	269/315	123/141	420/436	130	220	180	156	3	8-φ18	AT100D/AT115S
125	140	315/345	141/152	436/462	175	250	210	184	3	8-φ18	AT115D/AT125S
150	140	345/409	152/172	466/543	190	285	240	211	3	8-φ22	AT125D/AT145S
200	152	409/438	172/187	593/665	215	340	295	266	3	12-φ22	AT145D/AT160S
250	165	438/550	187/215	682/752	265	405	355	319	3	12-φ26	AT160D/AT190S
300	178	550/600	215/240	725/772	305	460	410	370	4	12-φ26	AT190D/AT210S
350	190	600/633	240/262	832/880	340	520	470	429	4	16-φ26	AT210D/AT240S
400	216	633/730	262/330	862/968	360	580	525	480	4	16-φ30	AT240D/AT270S
450	222	633/1700	262/440	945/1005	400	640	585	548	4	20-φ30	AT240D/AW25S
500	229	730/1700	330/440	1058/1060	430	715	650	609	4	20-φ33	AT270D/AW25S
600	267	1180/1700	365/440	1108/1195	190	840	770	720	5	20-φ36	AW20/AW25S
700	292	1320/1970	440/480	1170/1255	555	910	840	794	5	24-φ36	AW25/AW28S
800	318	1430/2700	480/560	1325/1365	620	1025	950	901	5	24-φ39	AW28/AW35S

PN25 (2.5MPa) Dimension

公称通径 Nominal diameter DN	外形尺寸 Outline Size					连接尺寸 Connecting Size					执行器型号 Actuator Model
	L	L1	L2	—H	Hi	D	D1	D2	f	n-φd	
50	108	159/211	83/95	277/305	65	165	125	99	3	4-φ18	AT063D/AT075S
65	112	211/248	95/107	287/325	75	185	145	118	3	8-φ18	AT075D/AT088S
80	114	248/269	107/123	365/391	85	200	160	132	3	8-φ18	AT088D/AT100S
100	127	269/315	123/141	420/457	130	235	190	156	3	8-φ22	AT100D/AT115S
125	140	315/345	141/152	436/462	175	270	220	184	3	8-φ26	AT115D/AT125S
150	140	409/438	172/187	466/543	190	300	250	211	3	8-φ26	AT145D/AT160S
200	152	438/550	187/215	593/665	215	360	310	274	3	12-φ26	AT160D/AT190S
250	165	550/600	215/240	682/752	265	425	370	330	3	12-φ30	AT190D/AT210S
300	178	600/633	240/262	702/820	305	485	430	389	4	16-φ30	AT210D/AT240S
350	190	633/730	262/330	832/938	340	555	490	448	4	16-φ33	AT240D/AT270S
400	216	633/1700	262/440	910/968	360	620	550	503	4	16-φ36	AT240D/AW25S
450	222	730/1700	330/440	1005/1010	400	670	600	548	4	20-φ36	AT270D/AW25S
500	229	730/1700	330/440	1058/1065	430	730	660	609	4	20-φ36	AT270D/AW25S
600	267	1320/1970	440/480	1110/1195	490	845	770	720	4	20-φ39	AW25/AW28S
700	292	1430/2700	480/560	1255/1295	555	960	875	820	5	24-φ42	AW28/AW35S
800	318	1950/2700	260/580	1325/1365	620	1085	990	928	5	24-φ48	AW35/AW40S

PN40 (4.0MPa) Dimension

公称通径 Nominal diameter DN	外形尺寸 Outline Size					连接尺寸 Connecting Size						执行器型号 Actuator Model
	L	L1	L2	—H	Hi	D	Di	D2	f	D3	n-φd	
50	108	211/248	95/107	277/305	65	165	125	99	3	88.4	4-φ18	AT075D/AT088S
65	112	248/269	107/123	310/341	75	185	145	118	3	110.4	8-φ18	AT088D/AT100S
80	114	269/315	123/141	375/412	85	200	160	132	3	121.4	8-φ18	AT100D/AT115S
100	127	315/345	141/152	436/462	130	235	190	156	3	150.4.5	8-φ22	AT115D/AT125S
125	140	345/438	152/187	462/513	175	270	220	184	3	176.4.5	8-φ26	AT125D/AT160S
150	140	438/550	187/240	543/615	190	300	250	211	3	204.4.5	8-φ26	AT160D/AT210S
200	152	550/600	215/262	665/760	215	375	320	284	3	260.4.5	12-φ30	AT190D/AT240S
250	165	600/633	240/262	752/858	265	450	385	315	3	313.4.5	12-φ33	AT210D/AT240S
300	178	633/730	262/330	820/880	305	515	450	409	4	364.4.5	16-φ33	AT240D/AT270S
350	190	730/1700	330/440	938/940	340	580	510	465	4	422.5	16-φ36	AT270D/AW25S
400	216	1180/1700	365/440	970/1055	360	660	585	535	4	474.5	16-φ39	AW20/AW25S
450	222	1180/1970	440/480	1005/1090	400	685	610	560	4	524.5	20-φ39	AW20/AW28S
500	229	1320/1970	440/480	1145/1185	430	755	670	615	4	576.5	20-φ42	AW25/AW28S
600	267	1970/2700	480/560	1195/1235	490	890	795	735	5	676.5	20-φ48	AW28/AW35S

Class150 Dimension

公称通径 Nominal diameter		外形尺寸 Outline Size					连接尺寸 Connecting Size					执行器型号 Actuator Model
DN	in	L	Li	L2	~H	H1	D	D1	D2	f	n-φd	
50	2	108	159/211	83/95	277/305	65	152	120.5	92	2	4-φ19	AT063D/AT075S
65	2½	112	211/248	95/107	287/325	75	178	139.5	105	2	4-φ19	AT075D/AT088S
80	3	114	248/269	107/123	365/391	85	190	152.5	127	2	4-φ19	AT088D/AT100S
100	4	127	269/315	123/141	420/457	130	229	190.5	157	2	8-φ19	AT100D/AT115S
125	5	140	315/345	141/152	436/462	175	254	216	186	2	8-φ22	AT115D/AT125S
150	6	140	345/409	152/172	466/543	190	279	241.5	216	2	8-φ22	AT125D/AT145S
200	8	152	409/550	172/215	593/665	215	343	298.5	270	2	8-φ22	AT145D/AT190S
250	10	165	438/600	187/240	682/752	265	406	362	324	2	12-φ25	AT160D/AT210S
300	12	178	600/633	240/262	702/820	305	483	432	381	2	12-φ25	AT190D/AT240S
350	14	190	600/633	240/262	832/938	340	533	476	413	2	12-φ29	AT210D/AT240S
400	16	216	633/730	262/330	910/968	360	597	540	470	2	16-φ29	AT240D/AT270S
450	18	222	633/730	262/330	1005/1010	400	635	578	533	2	16-φ32	AT240D/AT270S
500	20	229	730/1700	330/440	1058/1065	430	699	635	584	2	20-φ32	AT270D/AW25S
600	24	267	1180/1700	365/440	1110/1195	490	813	749.5	682	2	20-φ35	AW20/AW25S

Class300 Dimension

公称通径 Nominal diameter		外形尺寸 Outline Size					连接尺寸 Connecting Size					执行器型号 Actuator Model
DN	in	L	Li	L2	HH	Hi	D	Di	D2	f	n-φd	
50	2	108	211/248	95/107	277/305	65	165	127	92	2	8-19	AT075D/AT088S
65	2½	112	248/269	107/123	310/341	75	190	149	105	2	8-φ22	AT088D/AT100S
80	3	114	269/315	123/141	375/412	85	210	168.5	127	2	8-φ22	AT100D/AT115S
100	4	127	315/345	141/152	436/462	130	254	200	157	2	8-φ22	AT115D/AT145S
125	5	140	345/438	152/187	462/513	175	279	235	186	2	8-22	AT125D/AT160S
150	6	140	438/600	187/240	543/615	190	318	270	216	2	12-φ22	AT145D/AT160S
200	8	152	550/600	215/240	665/760	215	381	330	270	2	12-φ25	AT160D/AT210S
250	10	165	600/633	240/262	752/858	265	445	387.5	324	2	16-φ29	AT190D/AT240S
300	12	178	600/730	240/262	820/880	305	521	451	381	2	16-φ32	AT210D/AT270S
350	14	190	633/1700	262/440	938/940	340	584	514.5	413	2	20-φ32	AT240D/AW25S
400	16	216	730/1700	330/440	970/1055	360	648	571.5	470	2	20-φ35	AT270D/AW25S
450	18	222	730/1700	330/440	1005/1090	400	711	628.5	533	2	24-φ35	AT270D/AW25S
500	20	229	1180/1970	365/480	1145/1185	430	775	686	584	2	24-φ35	AW20/AW25S
600	24	267	1320/1970	440/480	1195/1235	490	914	813	682	2	24-φ41	AW25/AW28S

※注：系列球阀结构长度及连接法兰尺寸可根据 JB/T79 标准或用户要求设计制造。

※注：数据 xxx/xxx 分别是气动执行器双作用式，单作用式（弹簧复位）。

※注：根据不同阀门扭矩、使用介质适配的执行器型号可能有所不同，相关尺寸随之变化。

※注：以上执行器配置及数据均采用软密封(F)阀门，硬密封阀门的配置及数据请咨询上海川沪阀门有限公司。

订货须知 ORDERING INFORMATION

代号 Code	材料 Material	适用温度(°C) Applicable Temperature
H	合金钢 304、316 Alloy Steel 304,31 6	-30—425
F	增强聚四氟乙烯 Reinforced Polyterafluoroethylene (PTFE)	-40—150
X	丁腈橡胶 Buna-N Rubber	-12~82
	乙丙橡胶 Ethylene-propylene Rubber	-35—110
	食品级乙丙胶 Food Ethylene-propylene Rubber	-35—110
	氟橡胶 Fluorous rubber	-12~135
J	全衬里丁腈橡胶 Full-lining Buna-N Rubber	-12—82
F4	全衬里聚四氟乙烯 Full-lining polyteafuoroethylene (PTFE)	-40—160

根据不同控制和要求可选择下列附件：

切断型附件：单电控电磁阀、双电控制电磁阀、限位开关回讯器。

调节型附件：电-气定位器、电气转换器。

气源处理附件：空气过滤减压阀、气源处理三联件。

手动机构：XLHJ 系列

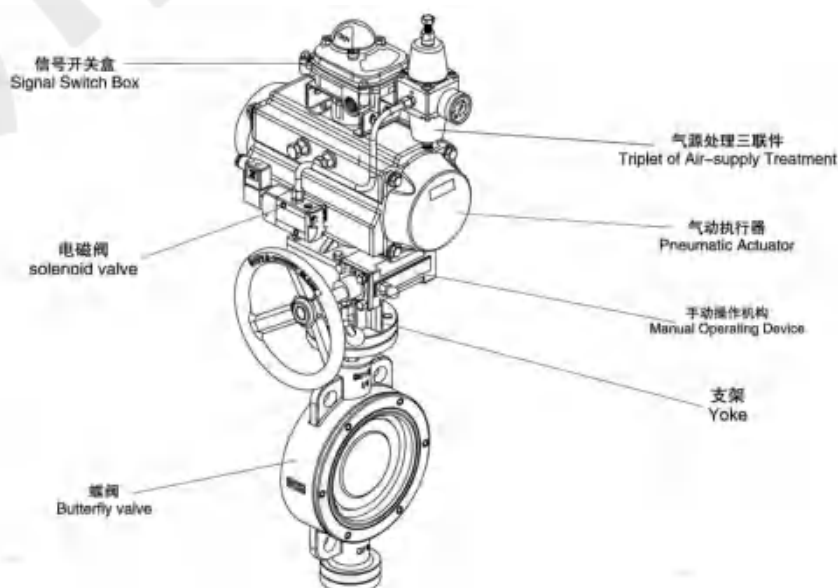
According to the different control and the request can choose the following accessories:

Shut-off Accessories: Single electrically-controlled magnetic valve. Double electrically-controlled Solenoid valve. signal saver of limit switch

Adjusting Accessories: EP/PP-positioner. electric-pneumatic converter.

Air-supply Treatment Accessories: air-filtering reducing valve. F.R.L. COMBINATION UNIT.

Manual Device: XLHJ Series





地址：上海市奉贤区金汇工业园金碧路 358 号
电话：86-021-5186 3046
传真：86-021-5186 3049
邮箱：chvalve@126.com
邮编：210404
网址：<http://www.chuanhuvalve.com>

Add: Shanghai Fengxian District Jinhui Industrial Garden Jinbi Road No. 358
Tel: 86-021-5186 3046
Fax: 86-021-5186 3049
Mail: chvalve@126.com
Code: 210404
Website: <http://www.chuanhuvalve.com>

